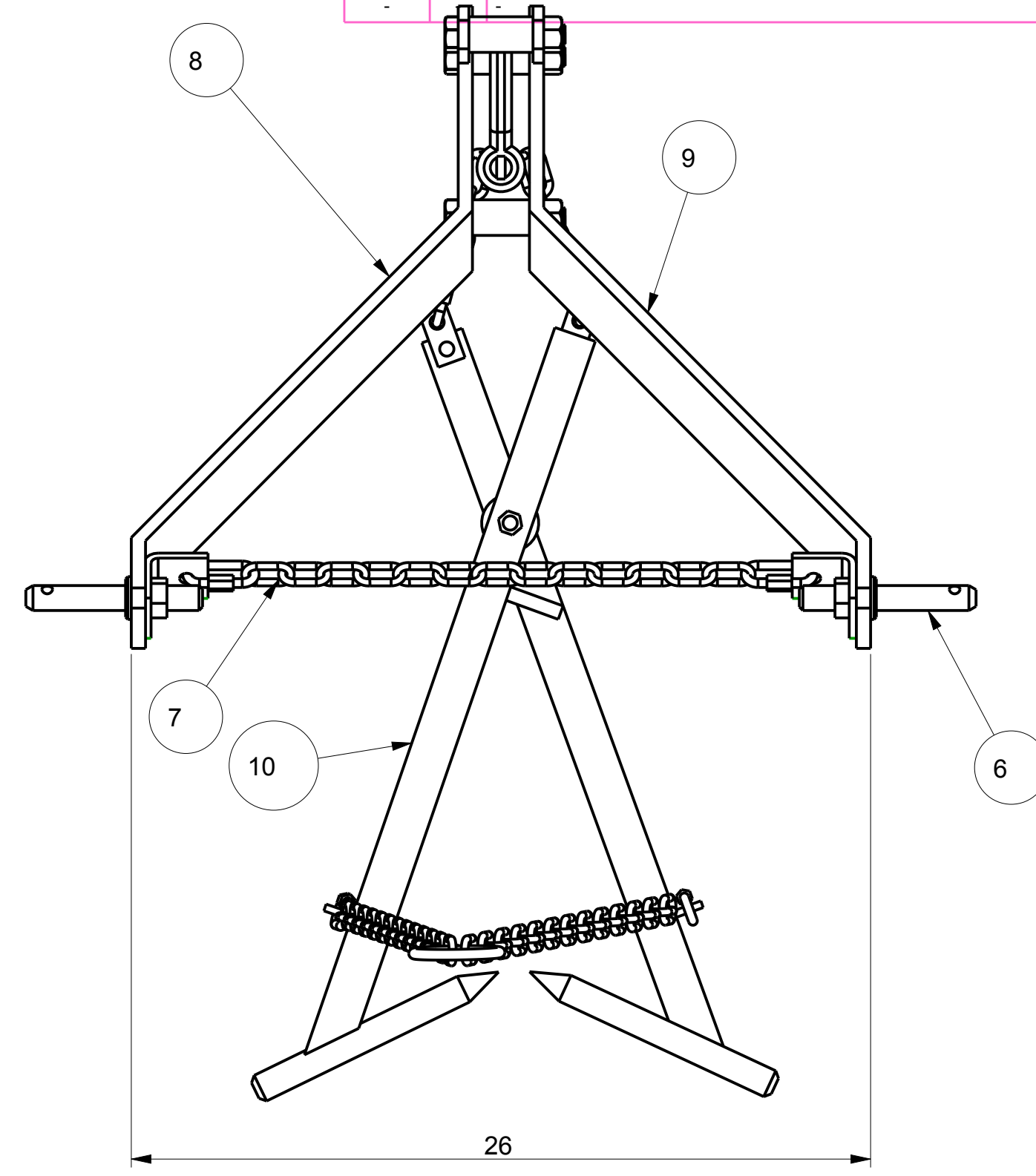
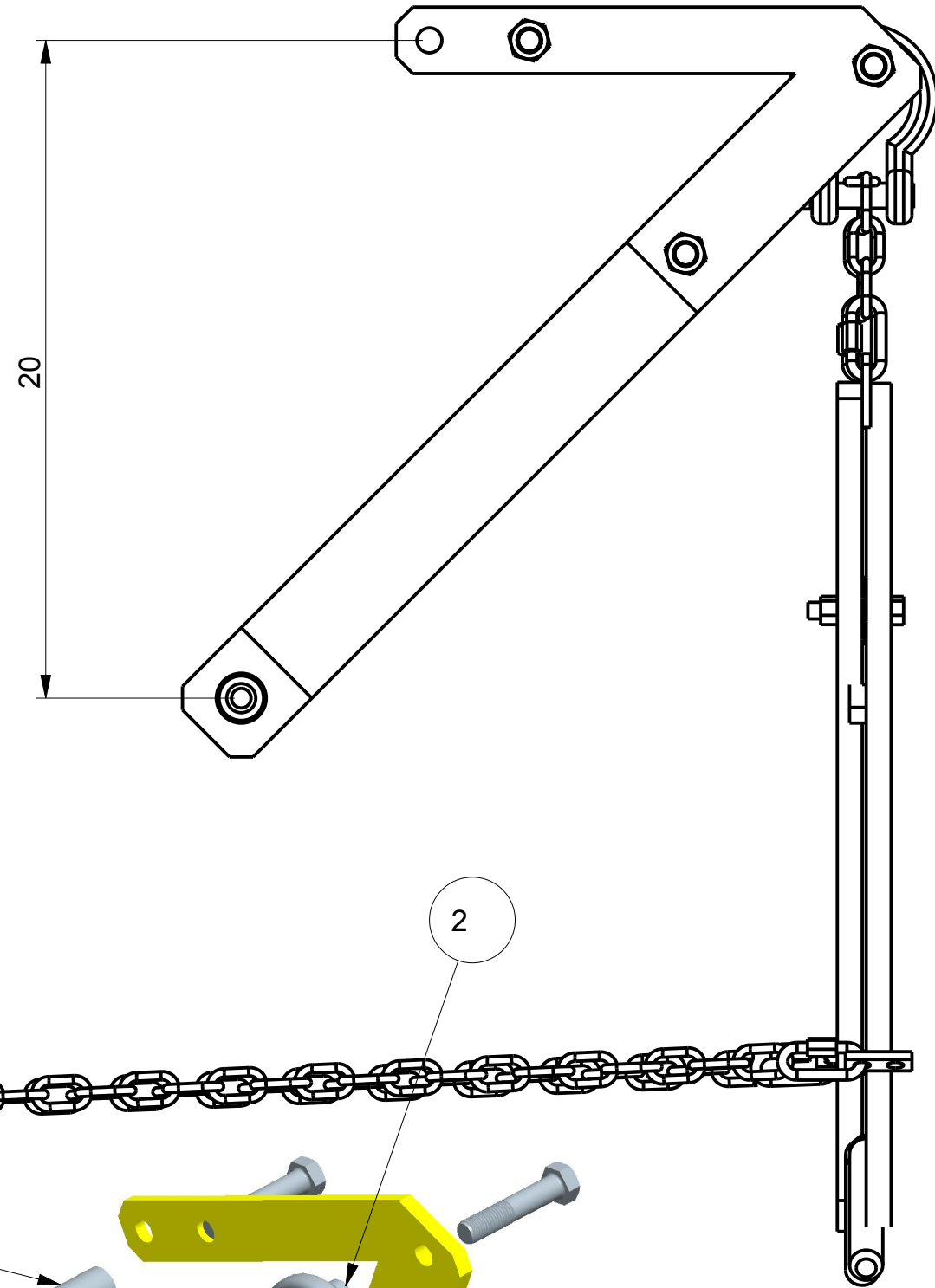


THIS DRAWING CONTAINS SMALL WOOD LOT TOOLS, LLC CONFIDENTIAL INFORMATION. IT IS DISCLOSED IN CONFIDENCE AND ITS CONTENTS MAY NOT BE DISCLOSED, REPRODUCED, DISPLAYED OR MODIFIED, WITHOUT THE PRIOR WRITTEN CONSENT OF SMALL WOOD LOT TOOLS, LLC.

REVISION HISTORY

ZONE	REV	DESCRIPTION	DATE	APPR
-	-		-	-

D

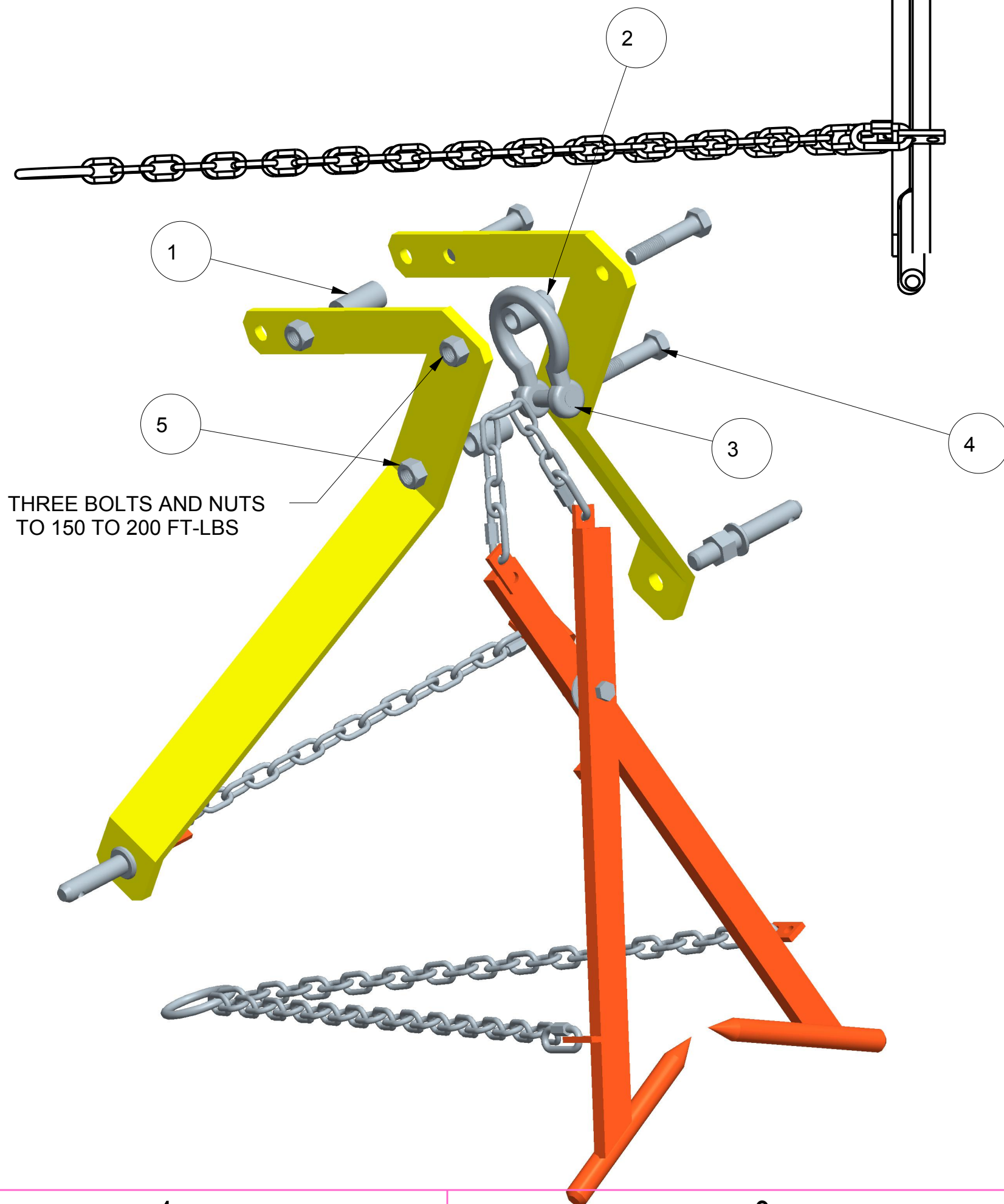


C

B

A

TORQUE THREE BOLTS AND NUTS TO 150 TO 200 FT-LBS



QTY	ITEM NO	PART NUMBER	DESCRIPTION
1	10	CAT1_SCISSOR-TONGS	
1	9	CAT1_FRAME_MIRROR	FRAME,LEFT,CAT 1,.5X3.0,CW STL
1	8	CAT1_FRAME	FRAME,RIGHT,CAT 1,.5X3.0,CW STL
1	7	CAT1-LIFT_ARM_LINK-CHAIN	
2	6	CAT_1_LIFTPIN	LIFT PIN,CAT 1,7/8DIA
3	5	95462A538	NUT,HEX,3/4X10,STL
3	4	91247A854	SCR,HEX,HEX,3/4X10X4,STL
1	3	3IN_CLEVIS	CLEVIS,3IN,3/4 SCR PIN
2	2	2IN_SPACER	SPACER,3/4ID,1 1/4OD,2.0LG,STL
1	1	2_1_4IN_SPACER	SPACER,3/4ID,1 1/4OD,2.25LG,STL W/ID STAMPED
		TOP CAT1_TOP-ASSY	-

PARTS LIST			
UNLESS OTHERWISE SPECIFIED INTERPRET DIMENSIONS AND TOLERANCES IN ACCORDANCE WITH ASME Y14.5M-1994 DIMENSIONS ARE IN INCHES TOLERANCES: .X ± 0.0 Angles ± 0.5° .XX ± 0.01 .XXX ± 0.005		DESIGNED BY	DATE
THIRD ANGLE PROJECTION		DRAWN BY	DATE
		CHECKED BY	DATE
		APPROVED BY	DATE
MATERIAL SEE NOTES		FINISH SEE NOTES	DEPARTMENT <i>SMALL WOOD LOT TOOLS, LLC</i>
		TITLE SCISSOR TONG ASSY	
SIZE C	DRAWING NUMBER CAT-1_SKIDDER_ATTACHMENT	REV	
SCALE: 0,056		DO NOT SCALE DRAWING	SHEET 1 OF 1

DWG. NO. CAT-1_SKIDDER_ATTACHMENT SH. 1 REV